

Capsule Sackholders



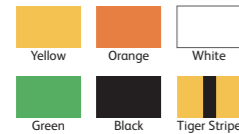
The Capsule Sackholder is a plastic clinical waste bin with a hands free frame, removable body and foot pedal operation.

Manufactured from a combination of aerospace grade ABS plastic and impact & corrosion resistant plastisol, these sackholders are built to last!

Available in a variety of standard waste segregation colours, supporting the safe management of healthcare waste and adherence to infection control guidelines.

28 LITRES from £64.99 plus VAT
42 LITRES from £84.99 plus VAT
80 LITRES from £89.99 plus VAT

Available lid colours



Available body colours



Duo Clinical Sackholders

Our Duo Clinical Sackholders collect two waste streams but only take up the space of one unit – great for areas where space is limited!

The Duo Clinical sackholder is available with a removable body or hands free operation.

Also available with transparent bodies to allow monitoring of the waste streams; ideal if you're carrying out a waste audit!

42 LITRES from £149.99 plus VAT
80 LITRES from £157.99 plus VAT

Available lid colours



Available body colours



Hybrid Sackholders



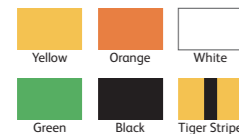
The Hybrid Sackholder comes with a metal lid and plastic foot unit. By combining metal and polythene, the clinical waste bins are fire retardant and will remain rust free.

The plastic (polythene) foot unit features integrated castors and a leak-proof tray to catch any spills from punctured sacks and is wet-room safe.

The base unit is constructed from durable non-marking polythene and will not damage walls or floors.

28 LITRES from £64.99 plus VAT
42 LITRES from £84.99 plus VAT
80 LITRES from £89.99 plus VAT

Available lid colours



Available body colours



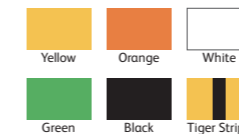
Mental Health Sackholder

This Mental Health Sackholder has been specifically designed for use in areas where patient security is of paramount importance. Available in a 42 litre or 80 litre capacity, the bin operates with a chute system to ensure that there can be no access to the contents.

The chute is operated via the foot pedal and has a hands free frame with a push lock fitted to the centre for added safety. The bin comes with a choice of body colour and the lids and foot pedals can be colour coded to match any waste stream.

42 LITRES from £129.99 plus VAT
80 LITRES from £149.99 plus VAT

Available lid colours



Available body colours



Metal Sackholders



The Metal Sackholder is ideal for hospitals and healthcare environments. Manufactured from galvanised steel, this clinical waste bin is corrosion resistant and has anti-microbial coating to minimise the spread of infection.

Available with a fixed or removable body for effective waste management and easy cleaning. Hands free foot pedal operation helps to minimise the risk of cross-infection and integrated castors and wall protection system stop the marking of walls and floors.

28 LITRES from £64.99 plus VAT
42 LITRES from £84.99 plus VAT
80 LITRES from £89.99 plus VAT

Available lid colours



Available body colours



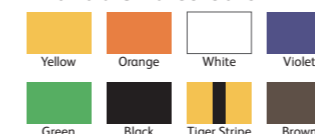
Eco Sackholders

Our Eco Sackholder is a metal clinical waste bin with a handsfree frame, removable body and foot pedal operation. Manufactured from galvanised steel, this clinical waste bin is corrosion resistant and has anti-microbial coating to minimise the spread of infection.

A range of coloured lids are available to support the safe management of healthcare waste segregation including, yellow, black, orange and tiger stripe. The lid sits flush within the frame of the sackholder for a smooth finish, and an optional gas strut can be fitted to ensure that the lid closes quietly.

28 LITRES from £54.99 plus VAT
42 LITRES from £74.99 plus VAT
80 LITRES from £79.99 plus VAT

Available lid colours



Available body colour





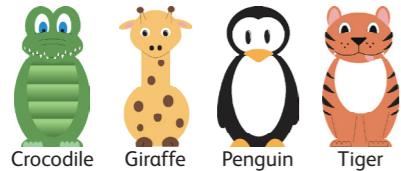
Animal Sackholders

The Animal Sackholder is available in metal or plastic. Both come with a hands free frame, optional removable body and foot pedal operation.

Perfect for children's wards, these sackholders come in a variety of standard waste segregation colours, supporting the safe management of healthcare waste and adherence to infection control guidelines.

A choice of vinyl artwork stickers can be applied to the sackholders, making them perfect for environments with young children.

Available vinyl artwork



28
LITRES
from
£74.99
plus VAT

42
LITRES
from
£99.99
plus VAT

80
LITRES
from
£107.99
plus VAT

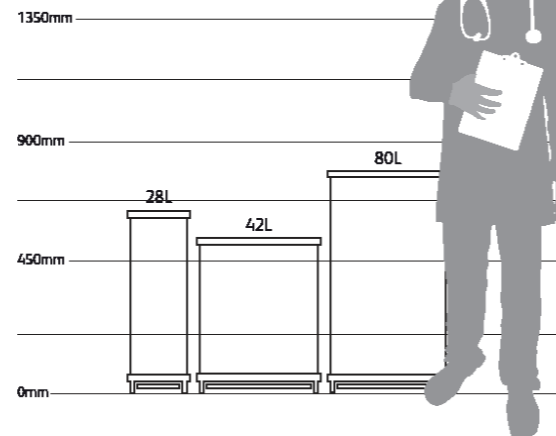
Why Choose Wybone?

At Wybone we understand that cleanliness, fire safety and the efficient management of all waste streams is of paramount importance within healthcare premises. All sackholders are manufactured to exacting standards enabling them to comply with legislative requirements.

We have successfully held the contract for supply of sackholders to the NHS* since 1998 and produced sackholders since 1973, so we like to think we know what we're doing!

*NHS discount available.

Sackholder Size Guide



Waste Pod Mobile Storage Unit



The Waste Pod Mobile Storage Unit has been specifically designed for use in clinical environments and features 2 lockable front opening doors, handles, rubber wall protection bumpers and a completely removable base for ease of cleaning.

from
£624.99
plus VAT

Single Metal Apron Holder



Single Metal Apron Holder and Dispenser, designed for use in healthcare environments and hospitals. The anti-microbial powder coated, galvanised steel unit holds one roll of aprons and fits most brands.

£22.99
plus VAT

Combination Glove & Apron Holder



The Combination Glove & Apron Holder is a wall mountable combination glove box holder and apron dispenser. It holds one roll of aprons and six boxes of gloves (three boxes are accessible from the front, with three boxes stored behind).

£73.99
plus VAT

wybone

Call: 01226 744010
Email: hello@wybone.co.uk
Order online: www.wybone.co.uk

wybone

The Little
Book
of Healthcare
Waste Solutions

